



VA

JOB NAME:

FIXTURE TYPE:

VANDALPROOF INCANDESCENT AND COMPACT FLUORESCENT

FEATURES

- Available in incandescent up to 75W, fluorescent in Circline 20W and 22W and energy efficient PL lamps.
- Available in the following sized: 6"x8", 8"x8", 12"x12" and 6"x10" nominal sizes for a variety of lamp configurations.
- Ideal for correctional facilities, recreational areas, institutions, schools, and any area where vandalism is a concern.
- Wall or ceiling mount for indoors or outdoors.
- Optional neoprene gasket for dust, moisture, and insect resistance.
- Slotted screws are standard. Spanner head screws are optional.

SPECIFICATIONS

- **HOUSING**
Die formed housing in heavy gauge steel. Optional aluminum housing.
- **ELECTRICAL**
Energy saving and electronic class P, HPF ballasts comply with Federal Energy Efficiency standards.
- **SHIELDING**
1/8" thick multi-patterned injection molded clear prismatic polycarbonate with ultraviolet inhibitors. Also available with smooth opal lens.
- **FINISH**
All parts finish with high gloss baked white enamel with minimum 89% reflectance applied over iron phosphate pretreatment for maximum adhesion and rust resistance.
- **CERTIFICATION**
All units bear UL and Made in U.S.A. label. UL listed for damp location. Optional wet location label for ceiling mount only.

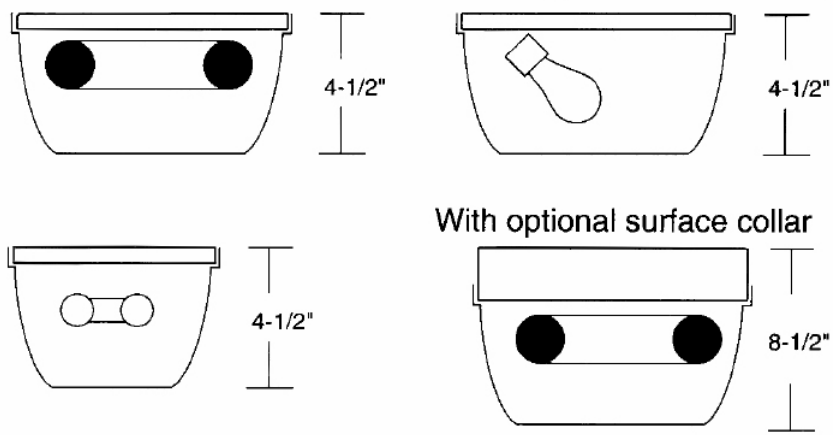


Vandalproof Fluorescent

Ordering Matrix

| MODEL | LAMPS | DIMENSIONS | OPTIONS |
|------------|-------------------|------------|---------|
| VA6-75 | 1-75A19 | 8"x6" | C-VA |
| VA6-7 | 1-PL7 | 8"x6" | OPA |
| VA6-9 | 1-PL9 | 8"x6" | TP |
| VA6-13 | 1-PL13 | 8"x6" | TSD |
| VA8-75 | 1-75A19 | 8"x8" | ALUM |
| VA8-29 | 2-PL9 | 8"x8" | GSKT |
| VA8-213 | 2-PL13 | 8"x8" | |
| VA8-20 | 1-20W Circline | 8"x8" | |
| VA12-120 | 2-60A19 | 12"x12" | |
| VA12-213 | 2-PL13 | 12"x12" | |
| VA12-126 | 1-PL26 | 12"x12" | |
| VA12-226 | 2-PL26 | 12"x12" | |
| VA12-142 | 1-PL42 | 12"x12" | |
| VA12-242 | 2-PL42 | 12"x12" | |
| VA12-22/20 | 1-22/20W Circline | 12"x12" | |

C-VA: Cast Aluminum Collar
OPA: Smooth Opal Polycarbonate
TP: Tamperproof Hardware
TSD: Tamperproof Screwdriver
ALUM: Aluminum Housing
GSKT: Gasketing



*For critical application verify all dimensions with factory.
 For additional Lamp/Ballast options, consult factory.*