



STLT

JOB NAME:

FIXTURE TYPE:

RECESSED STEP LIGHT/NIGHT LIGHT

FEATURES

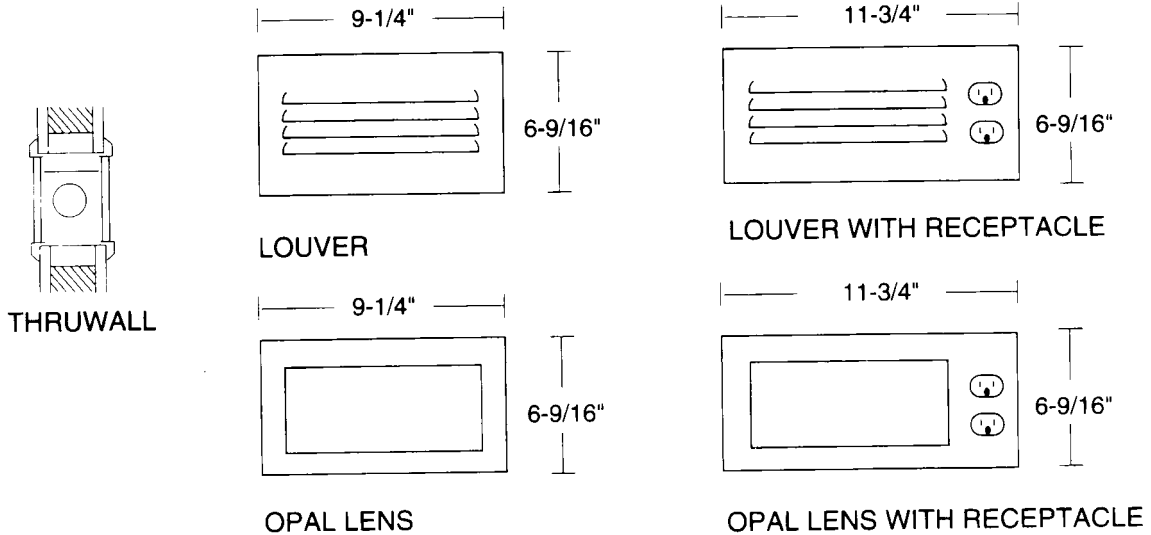
- Available in incandescent (up to 40W) and energy efficient PL lamps (up to 13W).
- Perfect for applications where highly efficient low levels of direct illumination are desirable.
- Wide variety of front panels available.
- Optional thru-wall unit to give supplementary lighting on both sides of a wall utilizing only one fixture.
- Optional hospital grade equipment available.
- Tamperproof and Vandalproof units available.
- Ample knockouts for simple installation.
- Gasketed for dust, moisture, and insect resistance.
- For wall or ceiling mounting.

SPECIFICATIONS

- **HOUSING**
20 gauge steel for rigidity. Also available in aluminum and stainless steel.
- **FACE PLATE**
20 gauge steel open face is standard. Optional open face aluminum; louvered face in steel, aluminum or stainless steel.
- **ELECTRICAL**
Energy saving and electronic class P, HPF ballasts comply with Federal Energy Efficiency standards.
- **LENS**
Frosted glass is standard for open face units, and optional for louvered face units. Polycarbonate lens optional.
- **FINISH**
Baked white enamel faceplate is standard. Natural aluminum finish is optional on aluminum units.
- **CERTIFICATION**
All units bear UL and Made in U.S.A. labels. Optional damp location label available.



ORDERING INFORMATION



CATALOG NUMBER	LAMPS	BODY LENGTH	BODY HEIGHT	DEPTH
STLT-9	1-PL9	8-1/2"	5-1/2"	3-1/8"
STLT-2/9	2-PL9	8-1/2"	5-1/2"	3-1/8"
STLT-40	1-40A	8-1/2"	5-1/2"	3-1/8"
STLT-13	1-PL13	8-1/2"	5-1/2"	3-1/8"

For critical application verify all dimensions with factory.
 For additional Lamp/Ballast options, consult factory.

Options:

- Thru-Wall Applications – suffix TW (wall thickness)
- Aluminum Housing – suffix AH
- Stainless Steel Housing – suffix SS
- Aluminum Front – suffix ALF
- Louvered Front – suffix LV
- Stainless Steel Front – suffix SSF
- Polycarbonate Lens – suffix LEX
- Receptacle on Face – suffix CO
- Hospital Grade Receptacle – suffix HGCO
- Damp Location Label – suffix DL
- Rocker Switch on Face – suffix RSW