



# NMVA

JOB NAME:

FIXTURE TYPE:

## ***NARROW VANDALPROOF FLUORESCENT***

### **FEATURES**

- Available in 2' and 4' lengths in 1 and 2 lamp configurations, T8, T5, and BIAx.
- Ideal for correctional facilities, recreational areas, institutions, schools, and any area where vandalism is a concern.
- Wall or ceiling mount for indoors or outdoors.
- Optional neoprene gasket for dust, moisture, and insect resistance.
- Slotted screws are standard. Tamper screws are optional.
- Available with energy efficient reflector in specular silver (95% reflectance)

### **SPECIFICATIONS**

- **HOUSING**  
Heavy gauge die formed cold rolled steel with 1/4" mounting holes and 7/8" knockouts for securing fixture to ceiling.
- **ELECTRICAL**  
Energy saving Electronic ballasts comply with Federal Energy Efficiency standards.
- **SHIELDING**  
.177 thick multi-patterned injection molded polycarbonate lens with ultraviolet inhibitors to minimize discoloration and add strength.
- **FINISH**  
All parts finish with high gloss dura white powder coat with minimum 89% reflectance applied over iron phosphate pretreatment for maximum adhesion and rust resistance.
- **CERTIFICATION**  
All units bear UL label and Made in U.S.A. labels. UL listed for damp location. Optional wet location label for ceiling mount only.



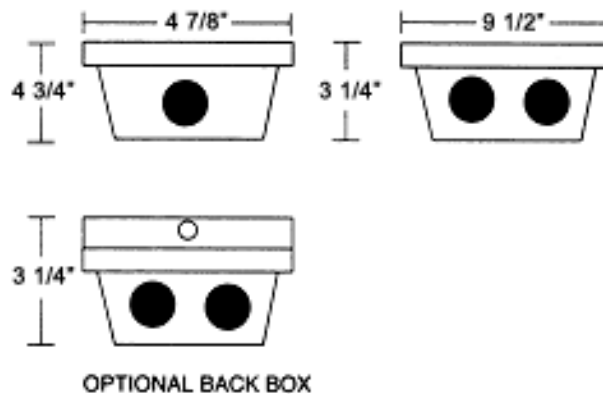
# Narrow Vandalproof Fluorescent

Ordering Matrix

CATALOG NUMBER T8	LAMPS	LENGTH	CATALOG NUMBER T5	LAMPS	LENGTH
NMVA-117	1-FO17T8	27"	NMVA-114T5	1-F14T5	27"
NMVA-217	2-FO17T8	27"	NMVA-214T5	2-F14T5	27"
NMVA-132	1-FO32T8	51"	NMVA-128T5	1-F28T5	51"
NMVA-232	2-FO32T8	51"	NMVA-228T5	2-F28T5	51"
NMVA-1BX40	1-F40BX	27"			
NMVA-2BX40	1-F40BX	51"			

**Options:**

- Gasketing – suffix GSK
- Specular Silver Reflector – suffix SS95
- Wet Location Label (ceiling mount only) – suffix WL
- Tamperproof Hardware – suffix TP
- Tamperproof Screwdriver – suffix TSD



*For critical application verify all dimensions with factory.  
For additional Lamp/Ballast options, consult factory.*