

MVA

JOB NAME:

FIXTURE TYPE:



VANDALPROOF FLUORESCENT

FEATURES

- Available in 2' and 4' lengths in 1 and 2 lamp configurations, T8, T12, and BIAx.
- Ideal for correctional facilities, recreational areas, institutions, schools, and any area where vandalism is a concern.
- Wall or ceiling mount for indoors or outdoors.
- Optional corner mounting box available.
- Optional neoprene gasketing for dust, moisture, and insect resistance.
- Optional steel or aluminum surface conduit adapter.
- Slotted screws are standard. Spanner head screws are optional.
- Available with energy efficient reflectors in specular silver (95% reflectance) or specular aluminum (85% reflectance).

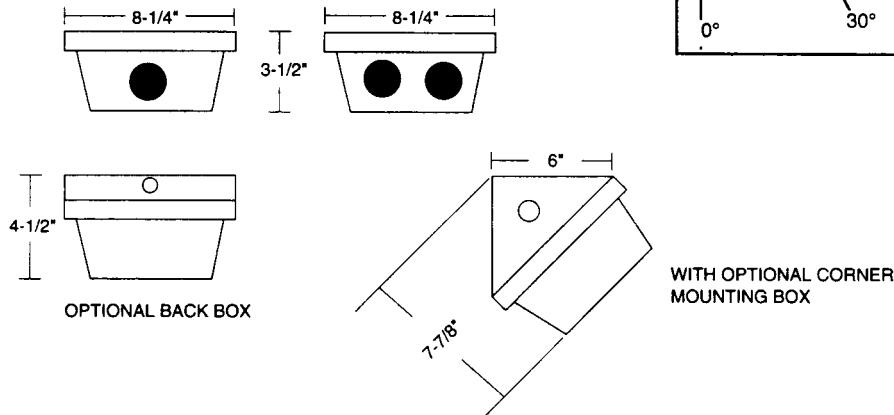
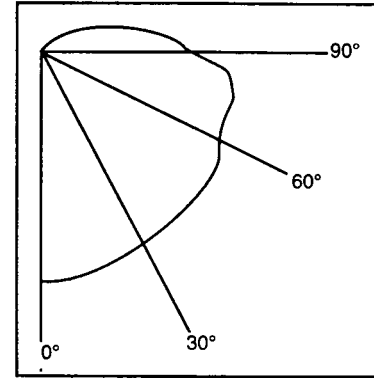
SPECIFICATIONS

- **HOUSING**
Heavy gauge die formed cold rolled steel with 1/4" mounting holes and 7/8" knockouts for securing fixture to ceiling.
- **ELECTRICAL**
Energy saving and electronic class P, HPF ballasts comply with Federal Energy Efficiency standards.
- **SHIELDING**
.125" thick multi-patterned injection molded polycarbonate lens with ultraviolet inhibitors to minimize discoloration and add strength.
- **FINISH**
All parts finish with high gloss dura white powder coat with minimum 89% reflectance applied over iron phosphate pretreatment for maximum adhesion and rust resistance.
- **CERTIFICATION**
All units bear UL and Made in U.S.A. label. UL listed for damp location. Optional wet location label for ceiling mount only.



PHOTOMETRIC REPORT AND ORDERING INFORMATION

| MVA-240 | | COEFFICIENT OF UTILIZATION ZONAL CAVITY METHOD | | | | | | | | | | |
|--------------|----------|---|----|----|----|----|----|----|----|----|----|----|
| Reflectances | | Room Cavity Ratios Index | | | | | | | | | | |
| 20% Floor | Ceilings | Walls | 1 | 2 | 3 | 4 | 5 | 6 | 7 | 8 | 9 | 10 |
| | 80% | 50% | 44 | 38 | 33 | 28 | 25 | 22 | 20 | 17 | 16 | 14 |
| | | 30% | 42 | 34 | 28 | 24 | 20 | 17 | 15 | 13 | 11 | 10 |
| 50% | 50% | 39 | 33 | 29 | 25 | 22 | 20 | 17 | 16 | 14 | 13 | |
| | 30% | 37 | 30 | 26 | 22 | 18 | 16 | 14 | 12 | 10 | 09 | |



| CATALOG NUMBER | LAMPS | LENGTH | CATALOG NUMBER T8 | LAMPS | LENGTH |
|----------------|-------|---------|-------------------|----------|---------|
| MVA-120 | 1-F20 | 26-1/4" | | | |
| MVA-220 | 2-F20 | 26-1/4" | MVA-217 | 2-FO17T8 | 26-1/4" |
| MVA-140 | 1-F40 | 50-1/4" | MVA-132 | 1-FO32T8 | 50-1/4" |
| MVA-240 | 2-F40 | 50-1/4" | MVA-232 | 2-FO32T8 | 50-1/4" |

For critical application verify all dimensions with factory.
For additional Lamp/Ballast options, consult factory.

Options:

- Electronic Ballast – suffix SSB-T8 or SSB-T12
- Corner Mount Box – suffix COR
- Gasketing – suffix GSK
- Surface Conduit Back Box – suffix SC
- Specular Silver Reflector – suffix SS95
- Specular Aluminum Reflector – suffix SA85
- Wet Location Label (ceiling mount only) – suffix WL
- Tamperproof Hardware – suffix TP
- Tamperproof Screwdriver – suffix TSD