



AA

JOB NAME

FIXTURE TYPE

SELF CONTAINED EMERGENCY LIGHT

(AA-2 Pictured)

FEATURES

- Units are compact.
- Ideal for public, commercial, and industrial facilities with varied unit load requirements.
- Plastic incandescent heads standard. Metal or weatherproof heads available as options.
- Automatic temperature compensated pulse type charger.
- High capacity automatic instantaneous transfer relay in a dust tight enclosure.
- Low voltage disconnects prevents overdischarge of battery. Automatic brownout protection is standard.
- Test switch and indicator pilot light are standard.
- Optional voltmeter.
- Available with 3 wire cord and plug assembly.
- Optional wireguards.
-

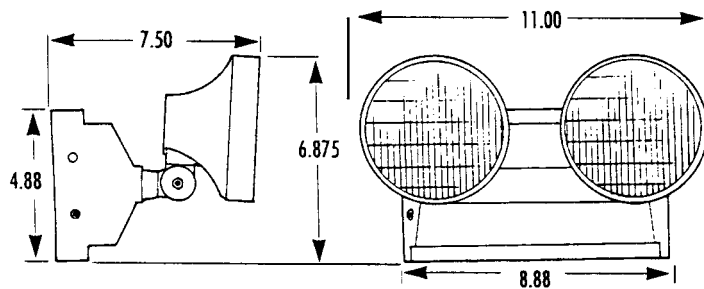
SPECIFICATIONS

- **HOUSING**
High impact injection molded thermoplastic, scratch and corrosion resistant for 6V. 20 gauge die formed steel housings available. For industrial applications.
- **BATTERY**
6 volt, maintenance free, seal lead calcium for 120V/277V system.
- **FINISH**
Architectural mist white.
- **LAMPS**
Par 36 5.4 watt high intensity tungsten lamps are standard.
- **CERTIFICATION**
All units bear UL label and Made in the U.S.A. labels. Meets or exceed NEC, OSHA, NFPA, and most state and local codes. New York City and Chicago approved units available.



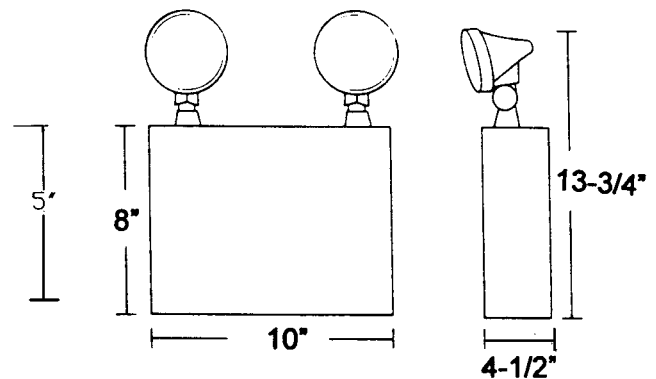
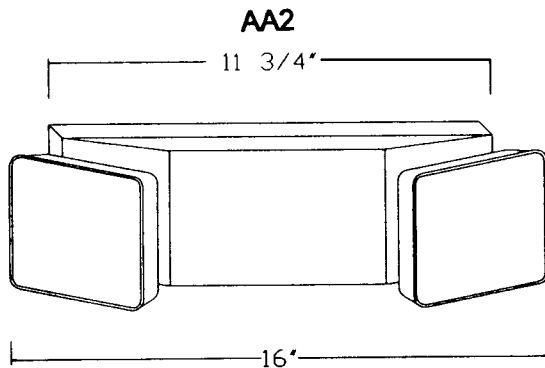
ORDERING INFORMATION

AA1 6V Heads



Ship Weight: Approximately 4-6 lbs

AA3 12V HEADS



CATALOG NUMBER

LAMPS

AA-1	2-PAR 36
AA-2	2-RECT PAR 36
AA-3/6V	2-PAR 18
AA-3/12V	2-PAR 36

For critical applications, verify all dimensions with factory.

For Recessed, Remote, Wet Location or Explosion Proof Applications – consult factory

OPTIONS:

- Cord and Plug Assembly – suffix CP3 (specify voltage)
- For NYC Approved Unit – suffix – NYC
- For Chicago Approved Unit – suffix - CHI