



S66

JOB NAME:

FIXTURE TYPE:

SURFACE OR RECESSED MODULAR LUMINAIRE

FEATURES

- Available in 2', 3', 4', 6', and 8' lengths, in 1 and 2 lamp configurations, T8 and T12.
- 6"x6" narrow design is architecturally preferred for installation in corridors, lobbies, and office areas.
- Direct down light is standard. Indirect and direct/indirect applications are available as options.
- Individual and continuous row for both surface and pendant mounting.
- Alignment brackets available for continuous row installation.
- Ends seams are fitted to provide the appearance of continuous smooth channel.
- Knockouts on channel ends allow for through wiring or end feed.
- For full complement of accessories to ease installation, refer to **Options** section.

SPECIFICATIONS

• **HOUSING**

Die formed welded heavy gauge cold rolled steel. Uplight fixtures are provided with (2) rows of 1/2" apertures along top of the housing which provide approximately 12% uplight.

• **ELECTRICAL**

Energy saving and electronic class P, HPF ballasts comply with Federal Energy Efficiency standards.

• **SHIELDING**

Acrylic prismatic is standard. Optional white cross baffle and parabolic semi-specular cross baffle. Refer to **Options** for additional shielding.

FINISH

All metal parts post painted with premium grade white enamel with a minimum 89% reflectance applied over iron phosphate pretreatment for maximum adhesion and rust resistance.

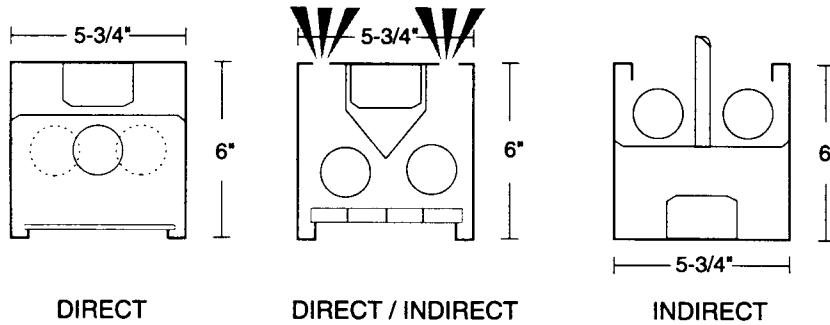
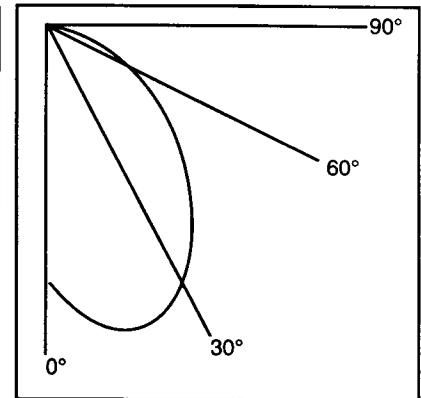
• **CERTIFICATION**

All units bear UL label, and labeled Made in U.S.A.



PHOTOMETRIC REPORT AND ORDERING INFORMATION

S66-240		COEFFICIENTS OF UTILIZATION ZONAL CAVITY METHOD										
Reflectances		Room Cavity Ratios Index										
20% Floor	Ceilings	Walls	1	2	3	4	5	6	7	8	9	10
	80%	50%	53	48	44	39	36	32	20	27	24	22
		30%	52	45	40	36	32	29	26	23	20	18
50%	50%	50	46	41	38	34	31	28	26	23	21	
	30%	49	43	39	35	31	28	25	22	20	18	



CATALOG NUMBER	LAMPS	LENGTH	CATALOG NUMBER T8	LAMPS	LENGTH
S66-120	1-F20	24-1/2"	S66-117	1-FO17T8	24-1/2"
S66-220	2-F20	24-1/2"	S66-217	2-FO17T8	24-1/2"
S66-130	1-F30	36-1/2"	S66-125	1-FO25T8	36-1/2"
S66-230	2-F30	36-1/2"	S66-225	2-FO25T8	36-1/2"
S66-140	1-F40	48-1/2"	S66-132	1-FO32T8	48-1/2"
S66-140-8TD	2-F40	97"	S66-132-8TD	2-FO32T8	97"
S66-240	2-F40	48-1/2"	S66-232	2-FO32T8	48-1/2"
S66-240-8TD	4-F40	97"	S66-232-8TD	4-FO32T8	48-1/2"

For critical application verify all dimensions with factory.

For additional Lamp/Ballast options, consult factory.

For mounting hardware, refer to **Options**.

Options:

- Electronic Ballast – suffix SSB-T8 or SSB-T12
- White Cross Baffle – suffix WCB
- Parabolic (semi-specular) Cross Baffle – suffix PBL
- Custom Color – suffix CC (color)
- Indirect – suffix IND
- Direct/Indirect – suffix D/I
- Specular Silver Reflector – suffix SS95
- Specular Aluminum Reflector – suffix SA85