

K85



JOB NAME

FIXTURE TYPE

RECESSED GRID TROFFER

FEATURES

- Available in 1x4, 2x2, and 2x4 in T8, T5 and T5-HO versions.
- Flush steel hinged and latched doorframe, screw assembled for simple diffuser replacement. Optional regressed aluminum frame.
- Integral metal-to-metal light seal channels eliminate light leakage on all four sides.
- Fixture housing flanges rolled to eliminate sharp edges.
- Engineered ballast compartment for maximum heat dissipation.
- Available with energy efficient reflectors in specular silver (95% reflectance) or specular aluminum (85% reflectance).

SPECIFICATIONS

- **HOUSING**
Die formed heavy gauge steel unitized into one piece. Optional 20 gauge for NYC
- **ELECTRICAL**
Electronic, HPF ballasts comply with Federal Energy Efficiency standards.
- **SHIELDING**
100% virgin acrylic prismatic is standard. Consult option sheet for other shielding.
- **FINISH**
All parts finished with high gloss baked white enamel with minimum 89% reflectance applied over iron phosphate pretreatment for maximum adhesion and rust resistance.
- **CERTIFICATION**
All units bear UL and Made in U.S.A. labels.



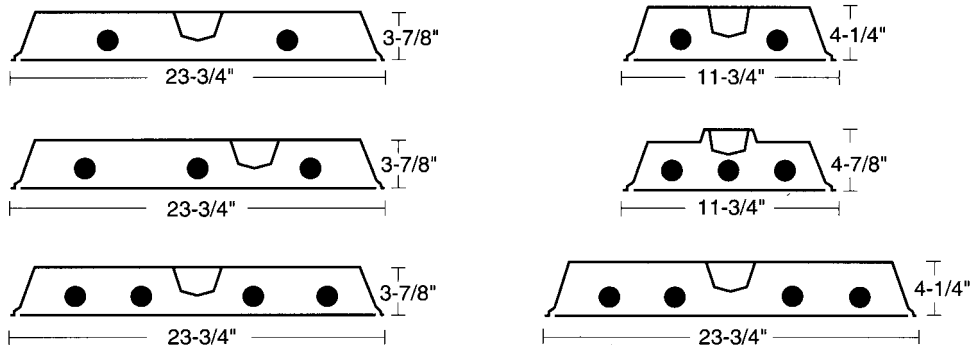
RECESSED GRID TROFFER

Ordering Matrix

CATALOG NUMBER T5	LAMPS	LENGTH	WIDTH	CATALOG NUMBER T8	LAMPS
K85-1-128	1-FP28T5	47-3/4"	11-3/4"	K85-1-132	1-FO32T8
K85-1-228	2-FP28T5	47-3/4"	11-3/4"	K85-1-232	2-FO32T8
K85-1-328	3-FP28T5	47-3/4"	11-3/4"	K85-1-332	3-FO32T8
K85-2-214	2-FP14T5	23-3/4"	23-3/4"	K85-2-217	2-FO17T8
K85-2-314	3-FP14T5	23-3/4"	23-3/4"	K85-2-417	4-FO17T8
K85-2-414	4-FP14T5	23-3/4"	23-3/4"	K85-2-232U	2-FBO32T8
		23-3/4"	23-3/4"	K85-2-340BX	3-F40BX
K85-2-228	2-FP28T5	47-3/4"	23-3/4"	K85-2-240BX	2-F40BXT5
K85-2-328	3-FP28T5	47-3/4"	23-3/4"	K85-2-232	2-FO32T8
K85-2-428	4-FP28T5	47-3/4"	23-3/4"	K85-2-332	3-FO32T8
K85-2-628	6-FP28T5	47-3/4"	23-3/4"	K85-2-432	4-FO32T8
				K85-2-632	6-FO32T8
CATALOG NUMBER T5HO	LAMPS	LENGTH	WIDTH		
K85-1-154	1-FP54T5HO	47-3/4"	11-3/4"		
K85-1-254	2-FP54T5HO	47-3/4"	11-3/4"		
K85-1-354	3-FP54T5HO	47-3/4"	11-3/4"		
K85-2-224	2-FP24T5HO	23-3/4"	23-3/4"		
K85-2-324	3-FP24T5HO	23-3/4"	23-3/4"		
K85-2-424	4-FP24T5HO	23-3/4"	23-3/4"		
K85-2-254	2-FP54T5HO	47-3/4"	23-3/4"		
K85-2-354	3-FP54T5HO	47-3/4"	23-3/4"		
K85-2-454	4-FP54T5HO	47-3/4"	23-3/4"		

Options:

- Regressed Aluminum Door – change prefix K to KRA
- Specular Silver Reflector – suffix SS95
- Specular Aluminum Reflector – suffix SA85
- .125 Nominal Thickness Lens – suffix 125A
- 20 Gauge – suffix 20G



*For critical application verify all dimensions with factory.
 For additional Lamp/Ballast options, consult factory.*