

ES85



JOB NAME:

FIXTURE TYPE:

NEW YORK CITY APPROVED RECESSED GRID TROFFER

FEATURES

- Available in 1x4, 2x2, 2x4 T8, T5 and T5HO
- Flush steel hinged and latched doorframe, screw assembled for simple diffuser replacement. Optional regressed aluminum frame.
- Integral metal-to-metal light seal channels eliminate light leakage on all four sides.
- Fixture housing flanges rolled to eliminate sharp edges.
- Integral T-bar clips on 2x4 fixtures quickly secure fixture to the grid system without the need for external parts.
- Engineered ballast compartment for maximum heat dissipation.
- Available with energy efficient reflectors in specular silver (95% reflectance) or specular aluminum (85% reflectance).

SPECIFICATIONS

- **HOUSING**
Die formed 20 gauge steel unitized into one piece. NYC approved.
- **ELECTRICAL**
Electronic, HPF ballasts comply with Federal Energy Efficiency standards.
- **SHIELDING**
100% virgin acrylic prismatic is standard. Consult option sheet for other shielding.
- **FINISH**
All parts finished with high gloss baked white enamel with minimum 89% reflectance applied over iron phosphate pretreatment for maximum adhesion and rust resistance.
- **CERTIFICATION**
All units bear UL and Made in U.S.A. labels.



NYC Approved Recessed Grid Troffer

Ordering Matrix

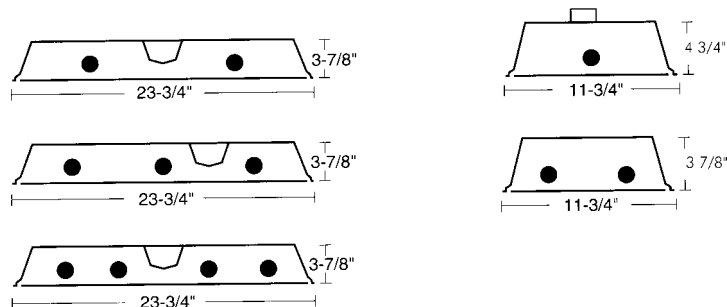
CATALOG NUMBER T8	LAMPS	LENGTH	WIDTH	CATALOG NUMBER T5	LAMPS	LENGTH	WIDTH
ES85-1-132	1-F32T8	47-3/4"	11-3/4"	ES85-1-128T5	1-F28T5	47-3/4"	11-3/4"
ES85-1-232	2-F32T8	47-3/4"	11-3/4"	ES85-1-228T5	2-F28T5	47-3/4"	11-3/4"
ES85-2-232U	2-F32U6	23-3/4"	23-3/4"	ES85-1-154T5	1-F54T5	47-3/4"	11-3/4"
ES85-2-331U	3-F31U6	23-3/4"	23-3/4"	ES85-1-254T5	2-F54T5	47-3/4"	11-3/4"
ES85-2-217	2-F17T8	23-3/4"	23-3/4"	ES85-2-214T5	2-F14T5	23-3/4"	23-3/4"
ES85-2-317	3-F17T8	23-3/4"	23-3/4"	ES85-2-314T5	3-F14T5	23-3/4"	23-3/4"
ES85-2-417	4-F17T8	23-3/4"	23-3/4"	ES85-2-414T5	4-F14T5	23-3/4"	23-3/4"
ES85-2-232	2-F32T8	47-3/4"	23-3/4"	ES85-2-224T5	2-F24T5	47-3/4"	23-3/4"
ES85-2-332	3-F32T8	47-3/4"	23-3/4"	ES85-2-324T5	3-F24T5	47-3/4"	23-3/4"
ES85-2-432	4-F32T8	47-3/4"	23-3/4"	ES85-2-424T5	4-F24T5	47-3/4"	23-3/4"
				ES85-2-228T5	2-F28T5	47-3/4"	23-3/4"
				ES85-2-328T5	3-F28T5	47-3/4"	23-3/4"
				ES85-2-428T5	4-F28T5	47-3/4"	23-3/4"
				ES85-2-254T5	2-F54T5	47-3/4"	23-3/4"
				ES85-2-354T5	3-F54T5	47-3/4"	23-3/4"
				ES85-2-454T5	4-F54T5	47-3/4"	23-3/4"

Options:

- Regressed Aluminum Door – change prefix ES to ESRA
- Specular Silver Reflector – suffix SS95
- Specular Aluminum Reflector – suffix SA85
- .125 Nominal Thickness Lens – suffix .125A

Example: If you wanted to specify an ES85 fixture with 2 lamps T8 ballast with a regressed aluminum door your model number would read as follows:

ES85-232T8/EB-120-ES



*For critical application verify all dimensions with factory.
 For additional Lamp/Ballast options, consult factory.*