

# D/I-CID

JOB NAME

FIXTURE TYPE



## **RECESSED CENTER BASKET GRID INDIRECT TROFFER**

### **FEATURES**

- Provides indirect, soft, uniform illumination.
- Curved perforated details combine recessed fixture advantages with efficient indirect shielding.
- Perforated center basket, backed with reflective white acrylic, controls glare and veiling reflections.
- Shielding is easily removed for relamping.
- Optional Side Lenses improve visual comfort and prevent dust from entering the lamp chamber.
- Flanged fixture available for plaster ceilings.

### **SPECIFICATIONS**

- **HOUSING**  
Die formed heavy gauge steel housing unitized into one piece. Optional 20 Gauge housing for use in New York City.
- **ELECTRICAL**  
Energy saving and electronic class P, HPF ballasts comply with Federal Energy Efficiency standards.
- **SHIELDING**  
Perforated diffuser element with matte white acrylic overlay.
- **FINISH**  
All metal parts pretreated with a phosphate bonding process and post-painted with an electrostatically applied high temperature baked matte white enamel for superior quality and durability.
- **CERTIFICATION**  
All units bear UL and Made in U.S.A. label.



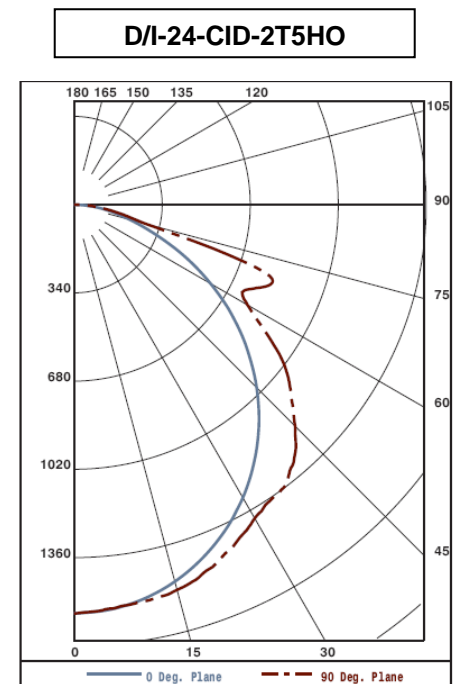
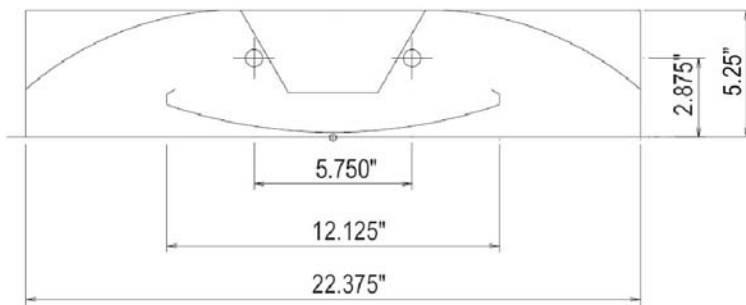
# Recessed Center Basket Grid Indirect Troffer

## Ordering Matrix

CATALOG NO.	SIZE	LAMPS
D/I-22-CID-2BX40	2X2	2-F40BX
D/I-22-CID-2BX50	2X2	2-F50BX
D/I-22-CID-124T5HO	2X2	1-F24T5HO
D/I-22-CID-224T5HO	2X2	2-F24T5HO
D/I-22-CID-324T5HO	2X2	3-F24T5HO
D/I-22-CID-114T5	2X2	1-F14T5
D/I-22-CID-214T5	2X2	2-F14T5
D/I-22-CID-314T5	2X2 </td <td>3-F14T5</td>	3-F14T5
D/I-24-CID-154T5HO	2X4	1-F54T5HO
D/I-24-CID-254T5HO	2X4	2-F54T5HO
D/I-24-CID-354T5HO	2X4	3-F54T5HO
D/I-24-CID-128T5	2X4	1-F28T5
D/I-24-CID-228T5	2X4	2-F28T5
D/I-24-CID-328T5	2X4	3-F28T5
D/I-24-CID-232T8	2X4	2-F32T8

### Options:

- Flanged Unit – change prefix to “MD/I”
- Emergency Battery Pack – Suffix EM
- 20 Gauge Housing- suffix NYC
- Side Lens Cover – suffix LC
- Dimming – suffix DM
- Factory Installed Encelium I/O Module – suffix I/O



**Total Luminaire Efficiency  
54.6%**

*Dimensions subject to change. Consult factory for critical applications.*