



# D6

JOB NAME

FIXTURE TYPE

## ***SHALLOW CROSS BLADE DIRECT/INDIRECT***

### **FEATURES**

- Provides direct/indirect, soft, uniform illumination.
- Extremely efficient fixture allows for the reduction in the amount of fixtures used in a space.
- Shielding is easily removed for re-lamping.
- No tools required to access ballast compartment.
- Designed specifically for T5 & T5HO lamping technology.

### **SPECIFICATIONS**

- **HOUSING**  
Die formed heavy gauge steel housing unitized into one piece.
- **ELECTRICAL**  
Energy saving electronic ballasts comply with Federal Energy Efficiency standards.
- **SHIELDING**  
White perforated diffusers with opal inlays and white cross baffle.
- **FINISH**  
All metal parts pretreated with a phosphate bonding process and post-painted with an electrostatically applied high temperature baked matte white enamel for superior quality and durability.
- **CERTIFICATION**  
All units bear UL and Made in U.S.A. labels.

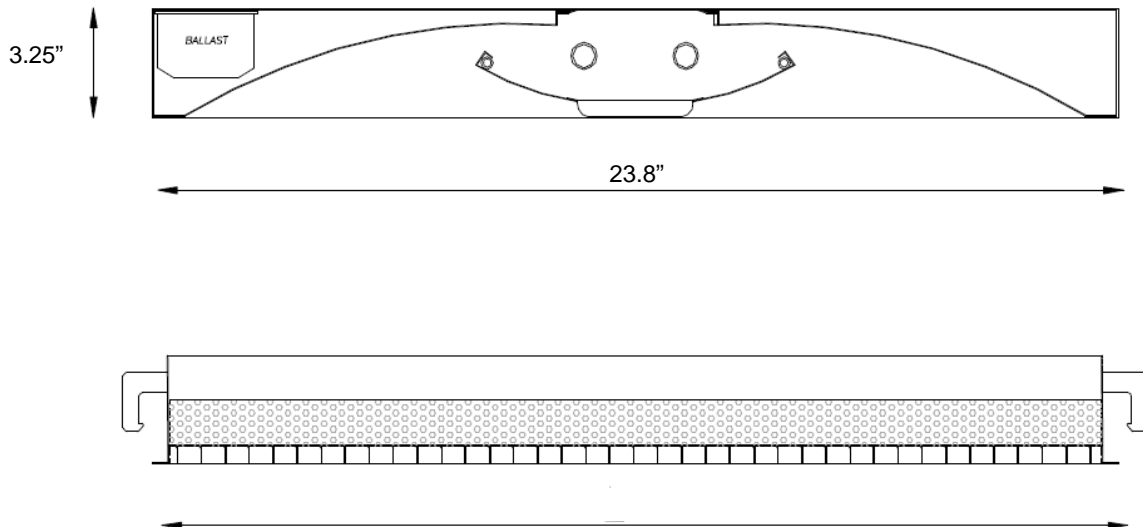
# Shallow Cross Blade Direct/Indirect

## Ordering Matrix

CATALOG NO.	SIZE	LAMP
D6-228T5	1x4	1-F28T5
D6-254T5HO	1x4	1-F54T5HO
D6-214T5	2x2	2-F14T5
D6-224T5HO	2x2	2-F24T5HO
D6-240BX	2x2	2-BIAX40
D6-228T5	2x4	2-F28T5
D6-254T5HO	2x4	2-F54T5HO

### Options:

- Flanged Unit – change prefix to “MD6”
- Emergency Battery Pack – Suffix EM
- Dimming – Suffix DM
- Fused – Suffix GLR



*Dimensions subject to change. Consult factory for critical applications.*