

# D2

JOB NAME

FIXTURE TYPE



## ***HIGH EFFICIENCY GRID DIRECT T5***

### **FEATURES**

- Provides direct/indirect, soft, uniform illumination.
- Fixture comes standard with opal lenses. Clear lenses available.
- Extremely efficient fixture allows for the reduction in the amount of fixtures used in a space.
- Shielding is easily removed for re-lamping.
- No tools required to access ballast compartment.
- Designed specifically for T5 & T5HO lamping technology.

### **SPECIFICATIONS**

- **HOUSING**  
Die formed heavy gauge steel housing unitized into one piece.
- **ELECTRICAL**  
Energy saving electronic ballasts comply with Federal Energy Efficiency standards.
- **SHIELDING**  
Diffuser elements include clear or opal white acrylic.
- **FINISH**  
All metal parts pretreated with a phosphate bonding process and post-painted with an electrostatically applied high temperature baked matte white enamel for superior quality and durability.
- **CERTIFICATION**  
All units bear UL and Made in U.S.A. labels.



*New*

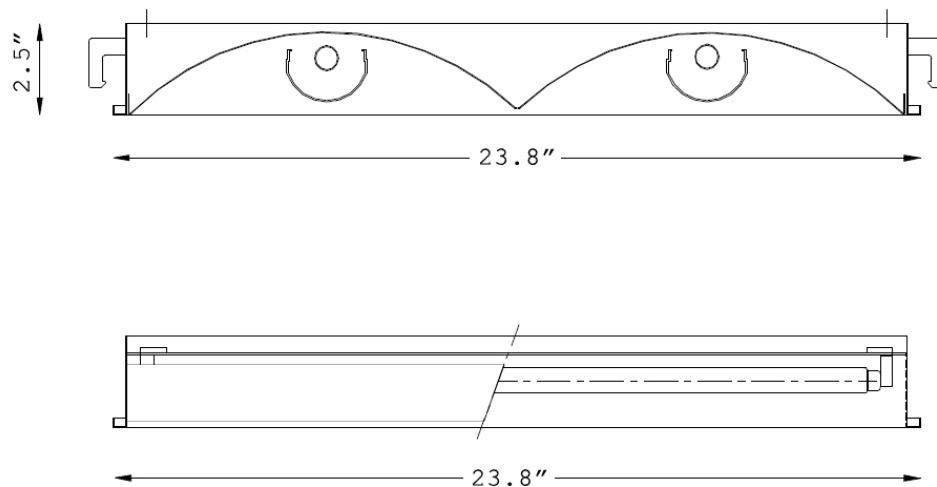
# High Efficiency Grid Direct T5

Ordering Matrix

<b>CATALOG NO.</b>	<b>SIZE</b>	<b>LAMP</b>
D2-128T5	1x4	1-F28T5
D2-154T5HO	1x4	1-F54T5HO
D2-214T5	2x2	2-F14T5
D2-224T5HO	2x2	2-F24T5HO
D2-228T5	2x4	2-F28T5
D2-254T5HO	2x4	2-F54T5HO

**Options:**

- Flanged Unit – change prefix to “MD2”
- Emergency Battery Pack – Suffix EM
- Dimming – Suffix DM
- Clear Lensing – Suffix CLR
- Fused – Suffix GLR



*Dimensions subject to change. Consult factory for critical applications.*