

# 159

JOB NAME

FIXTURE TYPE



## **ENCLOSED CORRIDOR LUMINAIRE**

### **FEATURES**

- Ribbed opal acrylic diffuser for soft, even illumination.
- Slim 4-5/8" width housing ideal for narrow corridors.
- This versatile fixture can be surface, pendant, or wall mounted.
- For individual or continuous row mounting with optional joiner bands.
- End plates are die formed with full perimeter flange for lens retention and light tight fit.
- Available with integral motion sensor for stairwell applications.

### **SPECIFICATIONS**

- **HOUSING**  
Die formed heavy gauge steel housing.
- **ELECTRICAL**  
Electronic class P, HPF ballasts comply with Federal Energy Efficiency standards.
- **SHIELDING**  
100% virgin acrylic opal ribbed is standard. Smooth white acrylic is also available.
- **FINISH**  
All parts finished with high gloss baked white enamel with minimum 89% reflectance applied over iron phosphate pretreatment for maximum adhesion and rust resistance.
- **CERTIFICATION**  
All units bear UL and Made in U.S.A. labels.



# ENCLOSED CORRIDOR LUMINAIRE

Ordering Matrix

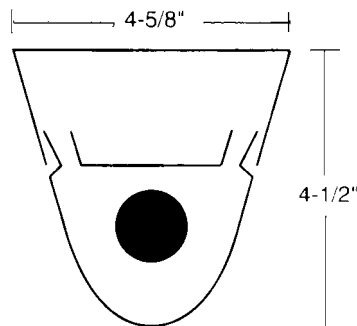
MODEL	LAMPS	LENGTH	BALLAST	OPTIONS
159	1	24"	T8/EB	OC
		36"	T5/EB	SWA
		48"	T5HO/EB	EM

**T8/EB:** Elect. Ballast  
**T5/EB:** Elect. Ballast  
**T5HO/EB:** Elect. Ballast

**OC:** Occupancy Sensor  
**SWA:** Smooth White Acrylic  
**EM:** Emergency Back-Up

**Example:** If you wanted to specify a 159 fixture, 4' in length with an occupancy sensor, your model number would read as follows:

**159-1-48"-T5/EB-OC**



*For critical application verify all dimensions with factory.  
 For additional Lamp/Ballast options, consult factory.*