

R24V

JOB NAME:

FIXTURE TYPE:

2x2 MODULAR DESIGN RECESSED SQUARE

FEATURES

- Available Metal Halide and High Pressure Sodium up to 400W. All lamps are medium base and are positioned in vertical burn.
- Vertical lamp position, for maximum lamp efficiency.
- A full compliment of shielding media will compliment all lighting applications.
- Completely prewired and assembled with removable ballast assembly.
- Designed for mounting in 2x2 grid (T-Bar) ceilings. Flange for gypsum board ceilings is optional. Consult factory for other ceiling installations.
- Automatic resetting heat sensitive thermal protection device for non-IC installations, protects fixture from overheating.
- Cold rolled steel doorframe with captive countersunk ¼ turn spring loaded fastener and concealed stainless steel hinging. Stainless steel door frames are also available.

SPECIFICATIONS

- **HOUSING**
20 gauge CRS welded construction. Consult factory for stainless steel housing.
- **ELECTRICAL**
Metal Halide 100W and High Pressure Sodium 100W-150W. High Reactance autotransformer, High Power Factor, encased and potted, auto-resetting type. Metal Halide 175W-400W and High Pressure Sodium 250W and 400 CWA High Power Factor, encased, potted and autoresetting type.
- **FINISH**
Detergent cleaned with iron phosphate and chromic acid rust inhibitor, chip resistant, powder urethane polyester coating, electrostatically applied and baked
- **CERTIFICATION**
All units bear UL and Made in U.S.A. label. UL listed for damp location.



2x2 Modular Design Recessed Square

Ordering Matrix

Model	Wattage	Lamp	Voltage	Lenses	Options
R24V	150	MH	120	TG	SS
	175	HPS	277	RG	TP
	250	PSMH	480	AD	GLR
	350		MULTI	PD	QZ
	400			PL	FLG
				PL9	
				PL16	



Tempered Prismatic Glass Lens is Standard

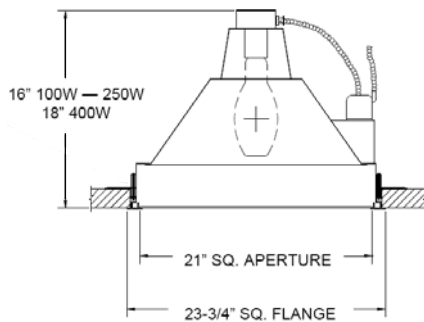
TG: Tempered Prismatic Glass Lens (Standard)
RG: Regressed Prismatic Glass Lens
AD: Acrylic Prismatic Drop Lens
PD: Polycarbonate Prismatic Drop Lens
PL: Prismatic Glass Lens and 1/2 inch Parabolic Louver
PL9: Prismatic Glass Lens and 9 Cell Parabolic Louver
PL16: Prismatic Glass Lens and 16 Cell Parabolic Louver

MH: Metal Halide
HPS: High Pressure Sodium
PSMH: Pulse Start Metal Halide

SS: Stainless Steel Trim
TP: Tamperproof hardware
GLR: Single Fuse
QZ: Quartz Restrike
FLG: Flanged Housing (Gypsum Board Ceiling)

Example: If you wanted to specify an R24V fixture, with 100W metal halide lamps and a regressed prismatic glass lens with a stainless steel trim, the model number would read as follows:

R24V – 100 – MH – RG – SS



Lenses

