

ALHB

JOB NAME:

FIXTURE TYPE:



HIGH BAY with ALUMINUM REFLECTOR

FEATURES

- Available in Metal Halide 150W-400W pulse start metal halide 175W – 400W.
- Ideal for factories and warehouses where high levels of illumination are required.
- Adjustable lampholder for wide and medium light distribution.
- Pendant mounting (for 3/4" conduit) standard. Optional quick connect hook with 36" cord and NEMA twist plug for chain hanging. (Please provide voltage.)
- Anodized aluminum reflector offers high reflectivity and ease of maintenance. Available in 16" and 22" diameters.
- Clear flat tempered glass lens is standard for 175W and 250W Metal Halide, optional on the other wattages.

SPECIFICATIONS

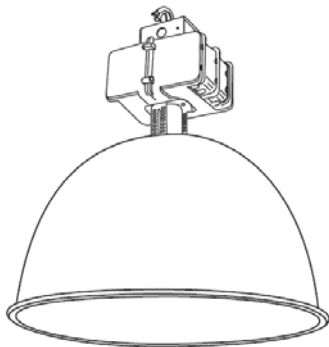
- **HOUSING**
Die cast aluminum with thermal chimney separating ballast core and coil from capacitor and igniter. Powder coated white polyester finish.
- **ELECTRICAL**
High Power Factor, constant wattage autotransformer available in 120, 208, 240, 277, 347, or 480V. Optional multi tap (120, 208, 240 or 277V) or tri tap (120, 240, 347V).
- **REFLECTOR**
Hydro-formed aluminum is anodized and delivers 80% efficiency.
- **CERTIFICATION**
All units bear UL and Made in U.S.A. labels. Units are UL Listed for damp location.



High Bay

Ordering Matrix

Model	Aluminum Reflector	Wattage	Lamp	Voltage	Options	
ALHB	16"	150	MH	120	OC	
		22"	175	HPS	277	HL
			250		GLR	
			400		MULTI	QZ
	22"	175	PSMH		CP	
		250		WG		
		320		FL		
		350				
		750				



22"

MH: Metal Halide
HPS: High Pressure Sodium
PSMH: Pulse Start Metal Halide

OC: Occupancy Sensor
HL: Hi/Lo Dimming
GLR: Fusing
QZ: Quartz Restrike
CP: Cord & Plug
WG: Wire Guard
FL: Flat Lens
DL: Drop Prismatic Lens (250W Max)

Example: If you wanted to specify a 22" 400W metal halide ALHB fixture with a wire guard, the model number would read as follows:

ALHB – 22 – 400 – MH – WG

