



# ST

JOB NAME:

FIXTURE TYPE:

## **SINGLE LAMP LOW PROFILE STRIP**

### **FEATURES**

- Available in 2' 3', 4' lengths in 1-lamp configurations, T5, 13W, 14W, 21W, 28W or T5-HO 24W, 39W and 54W.
- Fully assembled housing for individual or continuous row mounting.
- Predrilled mounting holes for easy installation. Can be fed through end or back of unit.
- Suitable for low density ceiling applications.
- Symmetric, asymmetric, and light shield and swivel adjustable reflectors available.
- Snap-on diffusers in clear or opal available.
- Available with energy efficient reflectors in specular silver (95% reflectance) or specular aluminum (85% reflectance).

### **SPECIFICATIONS**

- **HOUSING**  
Die formed heavy gauge steel housing with ample knockouts for ease of installation.
- **ELECTRICAL**  
Energy saving electronic ballasts comply with Federal Energy Efficiency standards.
- **FINISH**  
All parts pre-painted with high gloss baked white enamel with minimum 89% reflectance applied over iron phosphate pretreatment for maximum adhesion and rust resistance.
- **CERTIFICATION**  
All units bear UL and Made in U.S.A. label. Damp location label is optional.



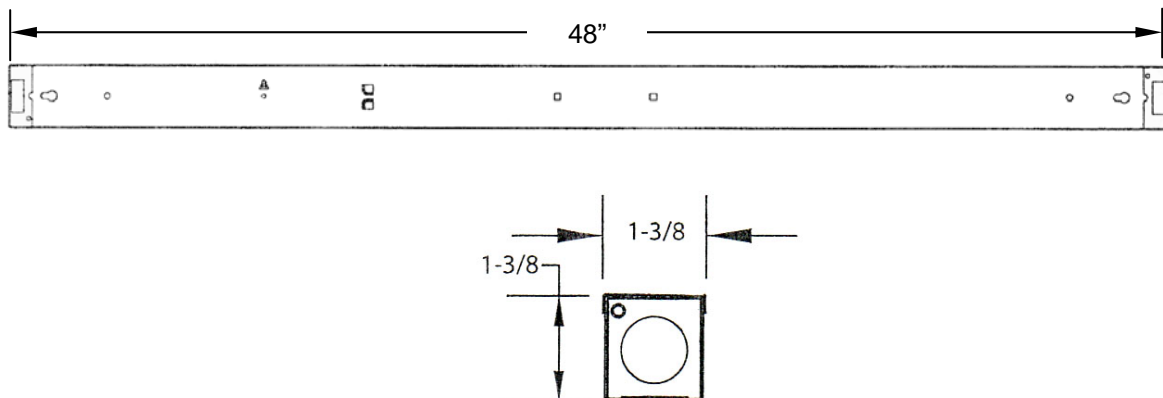
# SINGLE LAMP LOW-PROFILE STRIP

## Ordering Matrix

CATALOG NUMBER	LAMPS	LENGTH
ST-13T5	1-F13T5	22-1/8"
ST-14T5	1-F14T5	22-1/2"
ST-21T5	1-F21T5	34-1/4"
ST-28T5	1-F28T5	46-1/16
ST-24T5HO	1-F24T5HO	22-1/2
ST-39T5HO	1-F39T5HO	34-1/4
ST-54T5HO	1-F54T5HO	46-1/16
ST-115T8	1-F15T8	18
ST-117T8	1-F17T8	24
ST-125T8	1-F25T8	36
ST-132T8	1-F32T8	48

### Options:

- Damp Location Label – suffix DL
- Symmetric Reflector – suffix SR
- Asymmetric Reflector – suffix AR
- Wall Wash Light Shield – suffix L
- For custom black color – suffix BK
- Wire Guard – suffix WG1
- Chain Kit – suffix CK



*For critical application verify all dimensions with factory.  
For additional Lamp/Ballast options, consult factory.*