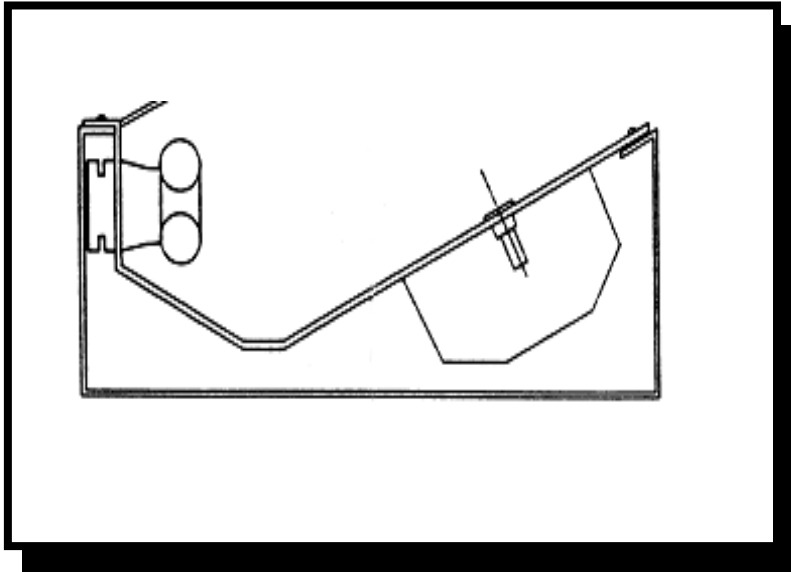


LLG



JOB NAME:

FIXTURE TYPE:

SURFACE MOUNTED COVE LUMINAIRE

FEATURES

- Available in 2', 4', and 8' sections, BIAX (shown above) and T8, T5 & T5-HO straight lamp configurations.
- Provides shadow free energy efficient indirect cove lighting.
- Designed for surface mounting.
- Reflector specially angled to direct light towards the ceiling to provide low, uniform lighting.
- Standard reflector is baked white enamel. Optional semi-specular aluminum.

SPECIFICATIONS

- **HOUSING**
Die formed 20 gauge steel housing.
- **ELECTRICAL**
Energy saving and electronic class P, HPF ballasts comply with Federal Energy Efficiency standards.
- **FINISH**
Finished with premium grade baked white enamel with a minimum 89% reflectance applied over iron phosphate pretreatment for maximum adhesion and rust resistance.
- **CERTIFICATION**
All units bear UL label and Made in U.S.A. labels.



Robert Lighting and Energy

Channels & Industrials

LLG Series

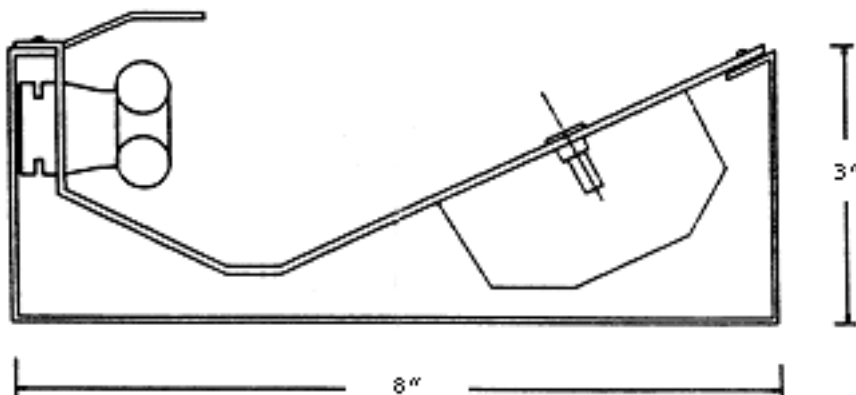
Ordering Matrix

MODEL	LAMP	LENGTH
LLG-117-2'	1-F17T8	2'
LLG-132-4'	1-F32T8	4'
LLG-132-8TD	2-F32T8	8'
LLG-140BX-2'	1-F40BX	2'
LLG-240BX-4'	2-F40BX	4'
LLG-440BX-8'	4-F40BX	8'
LLG-114-2'	1-FP14T5	2'
LLG-128-4'	1-FP28T5	4'
LLG-228-8'	2-FP28T5	8'
LLG-124-2'	1-FP24T5HO	2'
LLG-154-4'	1-FP54T5HO	4'
LLG-254-8'	2-FP54T5HO	8'

Options:

- For Semi-Specular Reflector – suffix SPEC

Dimensions:



*For critical application verify all dimensions with factory.
For additional Lamp/Ballast options, consult factory.*