

IDT

JOB NAME:

FIXTURE TYPE:

LINEAR INDIRECT

FEATURES

- Available in nominal 4', 8' or 12' lengths. 1 and 2 lamp T8, and 1, 2, and 3 lamp T5 or T5-HO operation.
- Roll formed housing is standard with perforated housing for 80% indirect and 20% direct light. Optional solid housing for 100% indirect illumination.
- The versatile design of this fixture makes it ideal for commercial and educational settings.
- Individual fixtures are standard. For continuous row applications, row lengths must be specified.
- Ends and joiners are constructed of die-cast aluminum and allow for mounting on 4', 8', or 12' centers. The ends are available in either "bull nose" or "spade" shapes.
- Joiners are designed to accept cables and power cords.
- Matching wall mount fixture available.

SPECIFICATIONS

HOUSING

Housing constructed of heavy gauge steel. End caps are made of die-cast aluminum. Optional side cutouts for inlays and louver available.

ELECTRICAL

T8 & T5 units come with high frequency instant start electronic ballasts. .Optional Program Rapid Start and dimming ballasts

FINISH

All parts finished with white polyester powder coat, smooth finish. Custom colors and textures are available.

CERTIFICATION

All units bear UL and Made in USA labels. UL label for damp locations available.



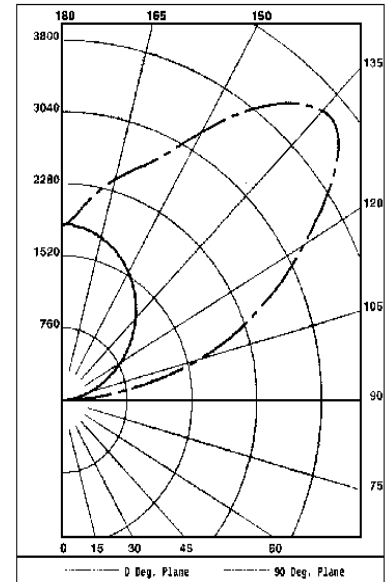
Linear Indirect

Ordering Matrix

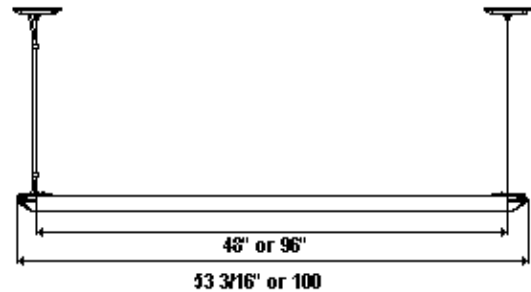
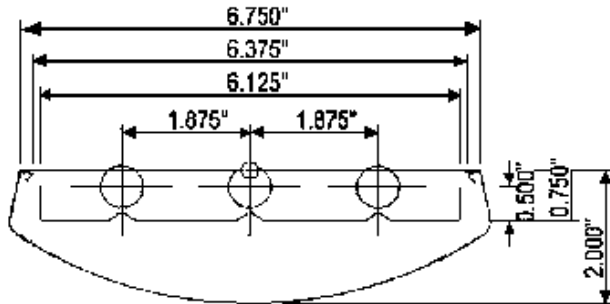
CATALOG NUMBER T5/T8	LAMPS	NOMINAL LENGTH	CATALOG NUMBER T5HO	LAMPS	NOMINAL LENGTH
IDT-4-228	2-F28T5	48"	IDT-4-254	2-F54T5HO	48"
IDT4--328	3-F28T5	48"	IDT-4-354	3-F54T5HO	48"
IDT-8-228	4-F28T5	96"	IDT-8-254	4-F54T5HO	96"
IDT-8-328	6-F28T5	96"	IDT-8-354	6-F54T5HO	96"
IDT-12-228	6-F28T5	144"	IDT-12-254	6-F54T5HO	144"
IDT-12-328	9-F28T5	144"	IDT-12-354	9-F54T5HO	144"
IDT-4-232	2-F32T8	48"			
IDT-8-232	4-F32T8	96"			
IDT-12-232	6-F32T8	144"			

Options:

- Spade End – suffix S-END
- Bull Nose End – suffix B-END
- Emergency Battery Pack – suffix EM
- Dimming Ballast – suffix DIM
- Solid Housing (100% indirect) – suffix SOLID
- Wall Mount – suffix WM
- Aircraft Cable/Power Feed Kit – suffix AC(length)
- Side Cutouts with Opal Inlays – suffix INLAYS
- Side Cutouts with Louvers – suffix LOUVERS



CATALOG NO.: IDT-4-354
Efficiency: 94.7%



*For critical application verify all dimensions with factory.
 For additional Lamp/Ballast options, consult factory.*