



A875

JOB NAME:

FIXTURE TYPES:

8" x 7.5" Luminaire (Shown with white cross blade)

FEATURES

- Available in nominal lengths up to 8'-0" sections, T5 or T8 operation, custom lengths available upon request. For continuous runs please consult factory with specific wiring instructions.
- Extruded aluminum housing with options of cross baffle, lens or parabolic louver shielding.
- Simple clean linear lines allow for this fixture to blend aesthetically into almost any space.
- Corner and angled intermediate couplings are available when fitting this fixture into a specific design scheme.
- Mounting can be accomplished using adjustable aircraft cables or rigid stem. Wall mount is also optional.

SPECIFICATIONS

- **HOUSING**
Housing constructed of extruded aluminum.
- **ELECTRICAL**
Energy saving and electronic class P, HPF ballasts comply with Federal Energy Efficiency standards.
- **DIFFUSERS**
When using parabolic aluminum louver, low iridescent finish is standard. Pattern A12 lens is standard when lensing and when using cross blades we will always painted them the same color as housing unless requested otherwise.
- **FINISH**
All parts finished with white polyester with minimum 89% reflectivity. Standard color is white. Other colors are available upon request.
- **CERTIFICATION**
All units bear UL label and Made in U.S.A



Robert Lighting and Energy

Architectural Series

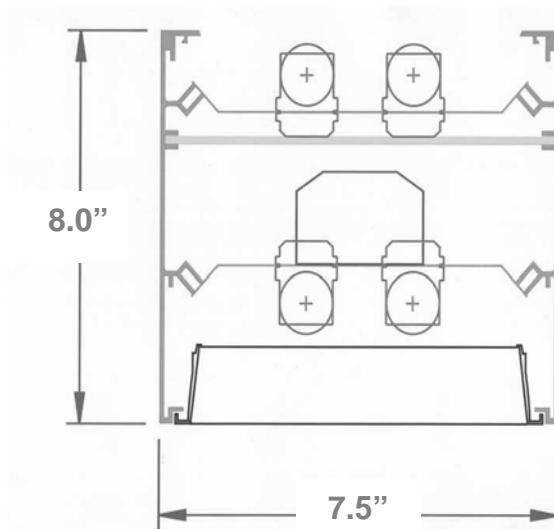
8" x 7.5" Luminaire

Ordering Matrix

| CATALOG NO. | LENGTH | LAMP | CATALOG NO. | LENGTH | LAMP |
|-------------|--------|----------|-------------|--------|----------|
| A875-132-4 | 48" | 1-FO32T8 | A875-132-8 | 96" | 2-FO32T8 |
| A875-232-4 | 48" | 2-FO32T8 | A875-232-8 | 96" | 4-FO32T8 |
| A875-332-4 | 48" | 3-FO32T8 | A875-332-8 | 96" | 6-FO32T8 |
| A875-432-4 | 48" | 4-FO32T8 | A875-432-8 | 96" | 8-FO32T8 |

Options:

- Direct Only – suffix D
- Indirect Only – suffix I
- Direct/Indirect – suffix D/I
- Stem Mount – suffix ST (specify length)
- Aircraft Cable – suffix AC (specify length)



*For critical application, verify all dimensions with factory.
For additional Lamp/Ballast options, consult factory.*