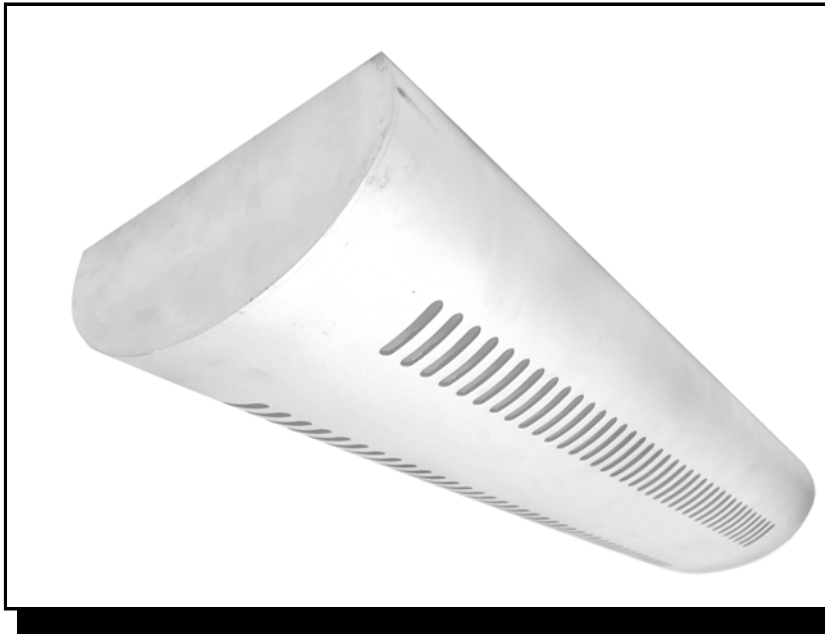


# 38ELL



JOB NAME:

FIXTURE TYPE:

## **3"x8" ELLIPTICAL LUMINAIRE (Shown with slim slots)**

### **FEATURES**

- Available in 4' or 8' lengths, T5 or T8 operation. For 1, 2 or 3 lamp versions.
- Extruded aluminum housing with optional square or slim slots for direct/indirect distribution or solid housing for indirect distribution only.
- Standard fixture with unshielded indirect distribution for maximum light output.
- The unique, curved design of this slim profile luminaire allows it to be utilized in low ceiling applications.
- Fixture available in straight run, square patterns and in directional "T" with angle connectors constructed of heavy gauge metal castings.
- Individual fixtures are standard. For continuous row applications, row lengths must be specified.
- For stem or cable mounting.
- Matching wall mount version available.

### **SPECIFICATIONS**

- **HOUSING**  
Housing and end plates constructed of durable extruded aluminum.
- **ELECTRICAL**  
Electronic class P, HPF ballasts comply with Federal Energy Efficiency standards.
- **SHIELDING:** Slots are backed by opal acrylic overlay for glare-free direct distribution.
- **FINISH**  
All parts finished with white polyester with a minimum 89% reflectivity. Custom colors available.
- **CERTIFICATION**  
All units bear UL label, UL label for damp locations, and labeled Made in U.S.A. available.

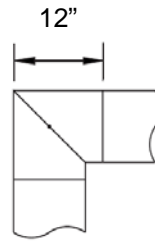
# Elliptical Luminaire

## Ordering Matrix

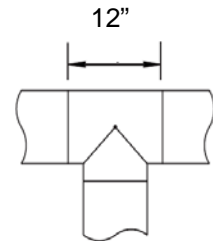
CATALOG NUMBER T8			CATALOG NUMBER T5		
LAMPS	LENGTH		LAMPS	LENGTH	
1-FO32T8	48"		1-FP28T5	48"	
2-FO32T8	96"		2-FP28T5	96"	
2-FO32T8	48"		2-FP28T5	48"	
4-FO32T8	96"		4-FP28T5	96"	
3-FO32T8	48"		1-FP54T5HO	48"	
6-FO32T8	96"		2-FP54T5HO	96"	
			2-FP54T5HO	48"	
			4-FP54T5HO	96"	

### Options:

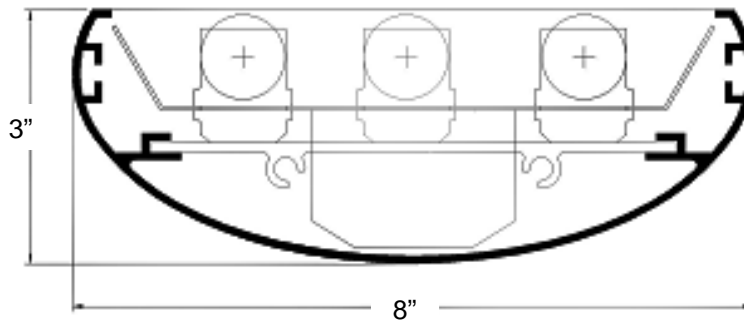
- Slim slot housing (80/20)- suffix SLSL
- Window slots (70/30)-suffix WSSL
- Solid Housing (100/0)- SOL
- Clear overlay (instead of opal)- suffix CLR
- Dimming Ballast – suffix DIM
- 90° "L" sections- suffix 90L
- "T" intersections- suffix TIN



"L" INTERSECTION



"T" INTERSECTION



*For critical application verify all dimensions with factory.  
For additional Lamp/Ballast options, consult factory.*