



CVALED

JOB NAME:

FIXTURE TYPE:

CAST ALUMINUM VANDALPROOF LED LUMINAIRE

FEATURES

- Available in 24 or 48 watt LED low voltage design.
- LED technology offers an unprecedented lamp life. This fixture is virtually maintenance-free.
- Ideally suited for surface mount applications in areas such as outdoor canopies, parking garages, loading docks, freezers and coolers.
- Neoprene gasket for dust, insect and moisture resistance. This fixture is designed for extreme conditions.
- Optional button photocell for automatic night "on"
- Designed to replace fixtures with output of 2300 lumens.
- 3 year warranty

SPECIFICATIONS

- **HOUSING**
The housing is made of die cast aluminum for durability and corrosion resistance.
- **ELECTRICAL**
Solid state instant on, immediate restrike.
- **SHIELDING**
The refractor is a .125 thick multi-patterned prismatic, injection molded polycarbonate lens with ultraviolet inhibitors to minimize discoloration. White polycarbonate lens is optional.
- **FINISH**
Exterior housing is finished in architectural bronze as standard. Available in gloss white. All interior surfaces are finished in high gloss baked white enamel for maximum reflectivity and illumination.
- **CERTIFICATION**
Suitable for wet location. Made in USA.



CVALED Luminaire

Ordering Matrix

Model	Wattage	Voltage	Options
CVALED12	24W	120V	TP
	48W	277V	WH
			CC
			WPL

CVALED12: 12" x 12" Housing

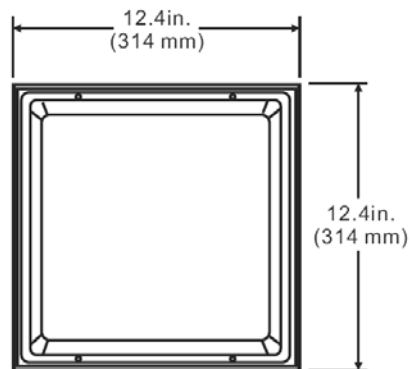
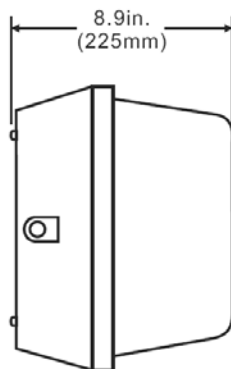


Deep Lens (optional)

TP: Tamperproof Hardware
WH: White Housing
CC: Custom Color
WPL: White Polycarbonate Lens

Example: If you wish to use a CVALED fixture with a 24 watt lamp, 120V, white housing, the model number would read as follows:

CVALED12 – 24 – 120 - WH



Dimensions subject to change. For critical applications, consult factory