



12SQ

JOB NAME

FIXTURE TYPE

12" X 12" SQUARE RECESSED SERIES

FEATURES

- 12SQ series designed for recessing in virtually any type of ceiling
- Available in Compact Fluorescent, HID and NEW LED.
- Standard with flush lens that presents a clean appearance.
- Door Frame available in white (standard), black, or custom color.
- Positive locking stainless hardware for easy relamping.
- Ballast/Driver is fully serviceable from the ceiling aperture.
- 27" Bar hangers are standard. Optional "T" bar clips
- Optional tamperproof hardware.

SPECIFICATIONS

- **HOUSING**
Die formed 18 gauge galvanized steel housing.
- **ELECTRICAL**
Electronic class P, HPF 120/277v ballasts comply with Federal Energy Efficiency standards.
- **SHIELDINGS**
Clear Tempered Glass is standard. Optional prismatic glass, drop opal glass, and drop opal acrylic.
- **FINISH**
Door frame is standard in white. Optional black or custom color.
- **CERTIFICATION**
All units bear UL and Made in U.S.A. labels. UL Listed for Damp Location. Optional UL Wet Location label.



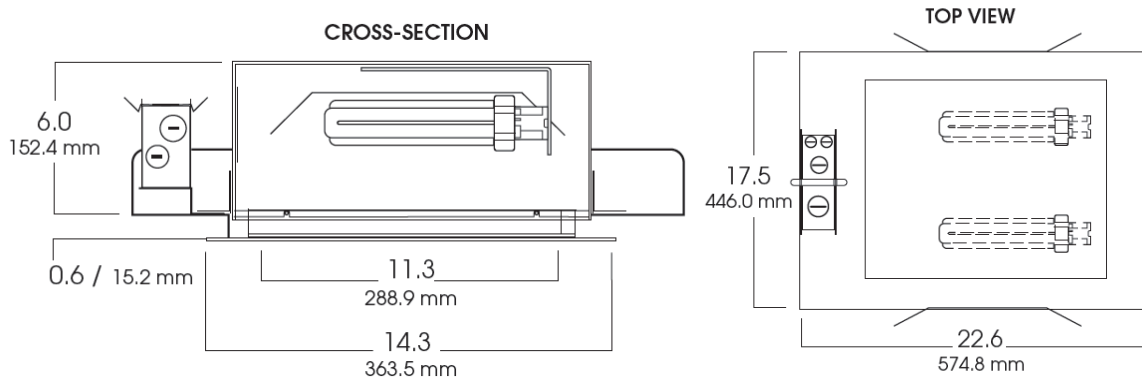
12 X12 SQUARE SERIES

Ordering Matrix

MODEL	WATTAGE	LAMP TYPE
12SQ	2-26 2-32 2-42 2-57	CF
	50 70 100 150 175	PS-MH
	24	LED

Options:

- Black Door Frame – suffix BLK
- Prismatic Tempered Glass – suffix PG
- Drop Opal Glass lens- suffix DOG
- Drop Opal Acrylic Lens-suffix DOA
- Emergency Battery Pack (Compact Fluorescent only) - suffix EM
- UL Wet Location Label– suffix WL
- T-bar clips (for grid ceilings)– suffix TBC
- Tamperproof Hardware – suffix TP



*For critical application verify all dimensions with factory.
For additional Lamp/Ballast options, consult factory.*